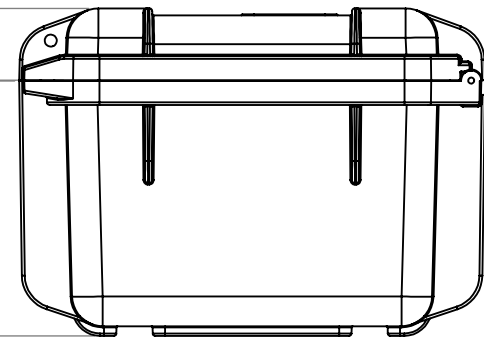


1.50"
(1.19")

5.31"
(4.94")



3i-0907-6

NOTE: DIMESIONS IN (X.XX) ARE ID

300 Mears Blvd.
Oldsmar, FL 34677
Phone: (813) 891-1313
Fax: (813) 891-9988
<http://www.allcases.com>

This drawing and all information details are the sole property of SKB Corporation, Orange CA. Any unauthorized use will be punished to the full extent of the law.

Case Series:	3i Series				Dimensions (for reference only)			
	Case part#	3i-0907-6	Length	Width	Overall	Base / Lid	Base / Lid	Base / Lid
Weight:	2.75 LBS EMPTY	left to right	front to back	height	height	height	height	height
Exterior		10.68"	9.69"	6.82"	5.31"-1.50"			
Inerior		9.38"	7.38"	6.13"	4.94"-1.19"			

5

4

3

2

1